

# NOVA

## COMET VERSATURN™ GRINDING WHEEL ACCESSORY



## Instruction Manual

THIS MANUAL CONTAINS IMPORTANT INFORMATION REGARDING SAFETY, OPERATION, MAINTENANCE AND STORAGE OF THIS PRODUCT. BEFORE USE, READ CAREFULLY AND UNDERSTAND ALL CAUTIONS, WARNINGS, INSTRUCTIONS AND PRODUCT LABELS. FAILURE TO DO SO COULD RESULT IN SERIOUS PERSONAL INJURY AND/OR PROPERTY DAMAGE. **THIS ACCESSORY CAN ONLY BE USED ON THE NOVA™ COMET II MIMI LATHE WITH THE VERSATURN™ COUPLER ACCESSORY.**



Publication 118-0417-011  
Patent Application 593-446  
SKU: 47002

# **NOVA Comet Versaturn™ Grinding Wheel**

## **Features:**

- Exclusive to the NOVA Comet II Midi Lathe
- Requires the NOVA VERSATURN™ Coupler to attach to your Comet II Midi Lathe
- Quick to lock and to unlock into place using the NOVA VERSATURN™ Coupler
- Variable Speed Adjustment up to 3000rpm, which enables you to select just the right speed to grind, without burning the tool edge.
- Perfect accessory for keeping your tools sharp in your workshop or on location
- 6" x ¾" White Aluminum Oxide Wheel (60 Grit) ideal for grinding most wood working tools.
- Protective Case with Eye Shield and Toolrest included
- 1-Year warranty

## **NOTE:**

- *Due to NOVA's continual product development and improvement policy, product features and specifications may change without notice.*
- *© Copyright 2000 -2017 by Teknatool International. All Rights Reserved. NOVA Comet II™ and NOVA VERSATURN™ are trademarks of Teknatool International Ltd.*
- *The information and specifications contained herein are subject to change. Teknatool International Ltd is not responsible for errors or omissions herein or for incidental damages in connection with the furnishing or use of this information.*

# Contact Teknatool:

## **New Zealand**

### **Teknatool International Ltd**

Phone: (+64) 9 477 5600

Fax: (+64) 9 477 5601

Email: [service@teknatool.com](mailto:service@teknatool.com)

Website: [www.teknatool.com](http://www.teknatool.com)

## **United States**

### **Teknatool Service Center**

Phone: 727-954-3433

Free Phone: 1-866-748-3025

Free Fax: 1-866-748-4193

Email: [service@teknatool.com](mailto:service@teknatool.com)

Website: [www.teknatool.com](http://www.teknatool.com)

## Table of Contents:

|  |    |
|--|----|
| GENERAL SAFETY RULES .....                       | 5  |
| GENERAL SAFETY RULES, cont. ....                 | 6  |
| ADDITIONAL SAFETY RULES FOR GRINDING WHEEL:..... | 8  |
| INSTALLATION INSTRUCTIONS:.....                  | 11 |
| INSTALLING THE TOOL REST .....                   | 11 |
| INSTALLING THE EYE SHIELDS .....                 | 12 |
| INSTALLING ONTO THE LATHE.....                   | 13 |
| OPERATION INSTRUCTIONS: .....                    | 14 |
| MAINTENANCE AND CLEANING: .....                  | 15 |
| REPLACING GRINDING WHEELS.....                   | 15 |
| ACCESSORIES FOR THE COMET II MIDI LATHE: .....   | 17 |
| WARRANTY: .....                                  | 19 |

# GENERAL SAFETY RULES

## Intended Use

This product is intended for consumer use only. This tool is not designed for professional use.



**WARNING!** Failure to follow these rules may result in serious personal injury.

People with electronic devices, such as pacemakers, should consult their physician(s) before using this product. Operation of electrical equipment in close proximity to a heart pacemaker could cause interference or failure of the pacemaker.



**WARNING:** Some dust created by power sanding, sawing, grinding, drilling and other construction activities contains chemicals known to the State of California to cause cancer, birth defects or other reproductive harm.

Some examples of these chemicals are:

- Lead from lead-based paints.
- Crystalline silica from bricks and cement and other masonry products, and arsenic and chromium from chemically-treated lumber.

Your risk from these exposures varies, depending on how often you do this type of work. To reduce your exposure to these chemicals: work in a well ventilated area, and work with approved safety equipment, such as dust masks that are specially designed to filter out microscopic particles.

## **IMPORTANT:**



**REMOVE ACCESSORIES WHEN NOT IN USE.** When VERSATURN™ accessories are not in direct use, they should be **removed from the NOVA COMET II MIDI LATHE** to prevent accidental contact.



**BEWARE OF ATTACHMENTS IN OPERATION.** Care must be taken to not accidentally come in contact with the VERSATURN™ Accessory attachments as it will be powered whenever the NOVA™ COMET II MIDI LATHE spindle is rotating.



**DO NOT EXCEED 3000RPM OR RUN THE NOVA VERSATURN™ GRINDER ACCESSORY ATTACHMENT IN REVERSE!** Damage would occur to the equipment and possibly cause serious injury.



**THE NOVA VERSATURN™ GRINDING WHEEL ACCESSORY CAN ONLY BE USED ON THE NOVA™ COMET II MIDI LATHE. IT CANNOT BE USED ON ANY OTHER MODEL LATHE. IT REQUIRES THE VERSATURN™ COUPLER ACCESSORY (SKU 47000) TO MOUNT ONTO THE NOVA COMET II MIDI LATHE.**

## GENERAL SAFETY RULES, cont.

1. **FOR YOUR OWN SAFETY, READ THE MANUAL BEFORE OPERATING THE TOOL.** Learn the machine's application, limitations and the specific hazards particular to it.
2. **ALWAYS USE A FULL FACE SHIELD. Strongly recommended.** (Must comply with ANSI STANDARD Z87.1 -USA) Everyday eye-glasses usually are only impact resistant and safety glasses only protect eyes. A full face shield will protect the eyes and face. Also use face or dust mask if cutting operation is dusty.
3. **WEAR PROPER APPAREL.** Do not wear loose clothing, gloves, neckties, rings, bracelets or other jewelry which may get caught in moving parts. Non-slip footwear is recommended. Wear protective hair covering to contain long hair.
4. **USE EAR PROTECTORS.** Use ear plugs or muffs for any period of operation. Use muffs rated to 103 DBA LEQ (8 hour).
5. **DON'T USE IN DANGEROUS ENVIRONMENT.** Don't use power tools in damp or wet locations, or expose them to rain. Keep work area well lit. The NOVA™ Comet II Midi Lathe and VERSATURN™ GRINDING WHEEL are intended for indoor use only. Failure to do so may void the warranty.
6. **KEEP WORK AREA CLEAN.** Cluttered areas and benches invite accidents. Build-up of sawdust is a fire hazard.
7. **KEEP CHILDREN AND VISITORS AWAY.** The NOVA™ Comet II Midi Lathe and VERSATURN™ Accessories are **not recommended** for children or the infirm. Such personnel and onlookers should be kept at a safe distance from the work area.
8. **MAKE WORKSHOP CHILDPROOF.** Utilize locks, master switches, or by removing starter/lockout keys.
9. **GROUND ALL TOOLS.** If the tool is equipped with a three-prong plug, it should be plugged into a three hole electrical receptacle. If an adapter is used to accommodate a two prong receptacle, the adapter plug must be attached to a known ground. **NEVER** remove the third or grounding prong.
10. **DISCONNECT TOOLS.** Ensure the plug is removed from the wall socket before servicing and when changing accessories such as blades, bits, cutters and fuses, etc.
11. **AVOID ACCIDENTAL STARTING.** Make sure switch is in the **Off** position before plugging in power cord into the wall socket.
12. **NEVER LEAVE MACHINE RUNNING UNATTENDED.** Do not leave machine unless it is turned off and has come to a complete stop.
13. **KEEP GUARDS IN PLACE.** Ensure guards are in working order.
14. **USE CORRECT TOOLS.** Do not use a tool or attachment to do a job for which it was not designed.
15. **DON'T FORCE THE TOOL.** It will do the job better and be safer at the rate/force for which it was designed.

16. **MAINTAIN TOOLS IN TOP CONDITION.** Keep tools sharp and clean for the best and safest performance. Follow instructions for lubricating and changing accessories.
17. **NEVER STAND ON THE TOOL.** Serious injury could occur if the tool is tipped or if the cutting tool is accidentally contacted.
18. **REMOVE ADJUSTING KEYS AND WRENCHES.** Form a habit of checking to see that keys and adjusting wrenches are removed from tool before turning it on.
19. **DON'T OVERREACH.** Keep proper footing and balance at all times.
20. **DIRECTION OF FEED.** Feed work into the blade or cutter against the direction of rotation.
21. **ATTENTION TO WORK.** Concentrate on your work. If you become tired or frustrated, leave it for awhile and rest.
22. **SECURE WORK.** Use clamps or a vice to hold work when practical. It's safer than using your hand and frees both hands to operate tool.
23. **CHECK DAMAGED PARTS.** Before further use of the tool, any part that is damaged should be carefully checked to ensure that it will operate properly and perform its intended function. Check for alignment of moving parts, binding of moving parts, mounting, and any other conditions that may affect its operation. Any damaged part should be properly repaired or replaced.
24. **DRUGS, ALCOHOL OR MEDICATION.** Do not operate machine while under the influence of drugs, alcohol, or any medication.
25. **DUST WARNING.** The dust generated by certain woods and wood products can be harmful to your health. Always use an approved dust mask and operate machinery in well-ventilated areas. In addition, provide a means for proper dust removal. Use wood dust collection systems whenever possible.

## **ADDITIONAL SAFETY RULES FOR NOVA VERSATURN™ GRINDING WHEEL:**



**Warning!** Failure to follow these rules may result in serious personal injury.

1. **ALWAYS USE THE PROVIDED WHEEL FLANGES** to mount grinding wheels on the NOVA VERSATURN™ Grinder Accessory Attachment shaft to prevent wheel damage or separation. Separation of the grinding wheel can result in fragments flying off the wheel at high speeds possibly causing severe injuries.
2. **USE ONLY GRINDING WHEELS AND METAL WIRE BRUSHES** that are designed for the speed of the NOVA VERSATURN™ Grinder Accessory Attachment. Unsuitable or poor quality grinding wheels or brushes can separate throwing fragments outward at high speeds possibly causing severe injuries.
3. **NEVER ATTEMPT TO USE A GRINDING WHEEL OR WIRE BRUSH** with an arbor hole that is different in size from the shaft on the NOVA VERSATURN™ Grinder Accessory Attachment.
4. **DO NOT OVERTIGHTEN THE ARBOR NUT.** Excessive tightening can cause the wheel to fracture and possibly break apart during use and throw pieces outward at high speeds possibly causing severe injuries.
5. **DO NOT USE A GRINDING WHEEL THAT VIBRATES.** Visually inspect the grinding wheel and dress as necessary or replace it immediately. If the vibration still exists, check the bearings on the motor shaft and repair/replace them as soon as possible. Excessive vibration can cause wheel separation and possibly severe injuries.
6. **NEVER USE A CRACKED GRINDING WHEEL ON THE NOVA VERSATURN™** Grinder Accessory Attachment. Replace cracked grinding wheels immediately.
7. **ADJUST THE EYE SHIELD SO IT IS CLOSE TO THE GRINDING WHEEL OR WIRE BRUSH.** Adjust the eye shield as the grinding wheel or wire brush wears down. Flying sparks are dangerous and cause fires and/or explosions if they come in contact with flammable materials or liquids.
8. **MAKE SURE THE EYE SHIELD IS IN PLACE, SECURE AND PROPERLY ADJUSTED while using the NOVA VERSATURN™** Grinding Attachment.
9. **TURN THE “ON/OFF” SWITCH ON THE LATHE TO THE “OFF” POSITION AND REMOVE THE NOVA VERSATURN™ GRINDER ACCESSORY ATTACHMENT FROM THE NOVA COMET II MIDI LATHE** when the grinding/brushing operations are finished. Thoroughly clean the area surrounding Grinding Wheel making it ready for the next use.



10. **WHEN NOT IN USE, SECURE THE ELECTRICAL POWER CORD BY REMOVING IT FROM THE WALL OUTLET** to prevent unauthorized use of the NOVA Comet II Midi Lathe and NOVA VERSATURN™ Grinder Accessory Attachment. Doing so will prevent children or unauthorized personnel from accidentally turning it “ON.”
11. **DO NOT STAND DIRECTLY IN FRONT OF THE NOVA VERSATURN™ GRINDER ACCESSORY ATTACHMENT** when it is first turned on. Loose fragments could fly off the grinding wheel or wire brush at high speeds possibly causing serious injuries.
12. **NEVER ENGAGE A WORK PIECE TO A COLD GRINDING STONE.** A cold grinding stone has a tendency to chip. Allow the NOVA VERSATURN™ GRINDER ACCESSORY ATTACHMENT to run for an entire minute before applying the work piece to the grinding stone.
13. **THOROUGHLY CLEAN THE NOVA VERSATURN™ GRINDER ACCESSORY ATTACHMENT WHEEL BEFORE CHANGING TYPES OF WORK PIECES.** Combining wood and metal dust can result in an explosion or fire. **DO NOT GRIND OR POLISH WORK PIECES MADE OF MAGNESIUM.** The magnesium could ignite resulting in a very intense fire that could cause severe injury/burns to the operator and/or seriously cause grinder or property damage.
14. **NEVER PERFORM GRINDING OPERATIONS NEAR FLAMMABLE GASES, MATERIALS OR LIQUIDS.** The resulting fire and/or explosion could cause permanent serious injuries to the operator and damage to the grinder and surrounding work area.
15. **AVOID AWKWARD POSITIONS** for both hands and work pieces. A sudden slip could draw fingers into the grinding wheel. **ALWAYS KEEP ARMS, HANDS AND FINGERS** away from the grinding wheel surface or serious injuries could result.
16. **HOLD THE WORK PIECE FIRMLY AGAINST THE NOVA VERSATURN™ GRINDER ACCESSORY ATTACHMENT WHEEL.** A loose grip can cause loss of control of the work piece resulting in severe injuries or damage to the bench grinder.
17. **ALWAYS MAKE CONTACT WITH THE FACE OF THE GRINDING STONE.** Grinding objects on the side of the grinding stone can cause the stone to fragment resulting in fragments being thrown from the wheel at high speeds possibly causing serious injuries
18. **NEVER APPLY A COOLANT DIRECTLY TO THE WORK PIECE WHILE IT IS IN CONTACT WITH THE GRINDING STONE.** Coolant can weaken the material of the grinding stone causing it to fail and possibly causing serious injuries. Dip the work piece in water to cool it.
19. **DO NOT TOUCH THE JUST GROUND PORTION OF THE WORKPIECE** until it has properly cooled. Touching HOT surfaces can result in serious injuries.

20. **NEVER PERFORM LAYOUT OR ASSEMBLY to work pieces in front of the NOVA VERSATURN™ GRINDER ACCESSORY ATTACHMENT WHEEL** while it is still running. A sudden slip could bring hands in contact with the moving parts of the **NOVA VERSTURN™ GRINDER ACCESSORY ATTACHMENT WHEEL** possibly resulting in serious injuries.
21. **ADJUST THE TOOL REST BEFORE EACH USE.** The tool rest should be close to the grinding wheel (about 1/8" separation or less) between the front of the grinding wheel and the tool rest. The tool rest should always be tightened to prevent shifting. It should be readjusted, as needed, as the grinding wheel or wire brush wears down. If not properly adjusted, the work piece can be inadvertently drawn into the grinding wheel causing damage to the grinding wheel, lathe or possibly causing serious injuries.
22. **AVOID EXCESS SAWDUST OR METAL FILINGS.**
23. **KEEP WORK AREA CLEAN.** Do not turn the NOVA™ Comet II Midi Lathe "ON" before clearing it and the surrounding area of all objects (tools, scraps of wood, etc.). Keep the nearby area and floor clear of debris.
24. **CHECK SET-UP WITH THE SPINDLE "OFF."** Inspect the set-up carefully and rotate the work piece, by hand, to check clearance(s). In addition, check to see speed is correctly selected before turning "ON" spindle.
25. **ALWAYS VERIFY THE CORRECT SPEED IS SELECTED BEFORE SWITCHING "ON" THE SPINDLE.**
26. **TURN AT THE RECOMMENDED SPEED(S.)** Always operate the NOVA Comet II Midi Lathe at the recommended speed(s.) Consult your wood lathe & grinding wheel manual for suggested speeds. **MAXIMUM RECOMMENDED SPEED IS 3000RPM for the VERSATURN GRINDING WHEEL. DO NOT OPERATE THE VERSATURN GRINDING WHEEL IN REVERSE! Damage would occur to equipment and may result in serious personal injury.**
27. **DO NOT OPERATE THE LATHE IF DAMAGED OR FAULTY.** If any part of your wood lathe is missing, damaged or broken, in any way; or if any electrical component fails, shut "OFF" the wood lathe and disconnect the wood lathe from the power supply. Replace missing, damaged, or failed parts before resuming the operation(s.)

**ADDITIONAL SAFETY INFORMATION.** The instruction for the safe and proper operation of this product is available from the National Safety Council, 444 N. Michigan Avenue, Chicago, IL 60611 in the Accident Prevention Manual of Industrial Operations and also in the Safety Data Sheets provided by the NSC. Also refer to the American National Standards Institute ANSI 01.1 Safety Requirements for Woodworking Machines and the U.S Department of Labor OSHA

## INSTALLATION INSTRUCTIONS:



Do not begin assembly of VERSATURN™ Grinding Wheel if the AC power cord is plugged into an AC power receptacle.



Do not begin assembly of VERSATURN™ Grinding Wheel Accessory if power switch on the front of the lathe is switched to the "ON" position.



**INSPECTION:** Carefully inspect each individual part of the VERSATURN™ Grinding Wheel Accessory to ensure there are no cracked, broken, or bent components needed for a safe installation.

### INSTALLING THE SPARK SHIELD AND TABLE

1. Align the lower slot in the Table (8) with the protruding alignment lug (6) in the Grinder Housing.
2. Insert the securing knob (5) through the upper slot in the Table (7) and screw it into the associated threaded hole in the Grinder housing.

Position the Tool Rest so it has a 1/8" (~3.2mm) gap between it and the Grinding Stone then tighten the securing knob (5) to secure the table. (As the grinding stones wear down, adjust the tool rest inward maintaining the 1/8" (~3.2mm) gap).

3. To secure the Spark shield (2), place the mounting screw through the slot in the Spark shield (2).
4. Thread the screw (1) into the mounting hole in the grinder guard (3).
5. Adjust the spark shield so it has approximately 1/16" (1.5mm) clearance off the grinding wheel.
6. Tighten the spark shield mounting screw (1) to secure the spark shield(2) firmly

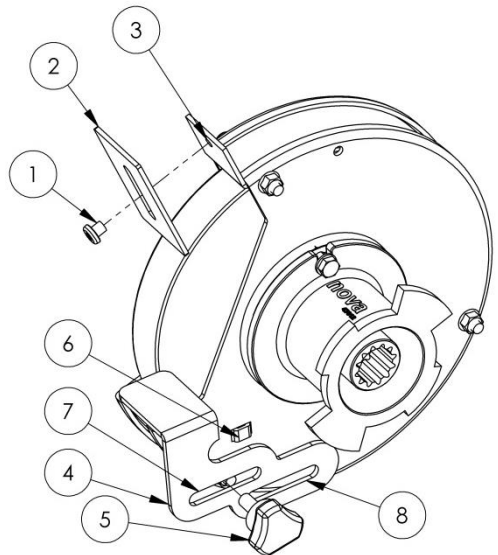


Figure 1

## INSTALLING THE EYE SHIELDS

The Eye Shields prevent hot sparks and other debris from flying off the spinning grind wheels and possibly causing injury to the eyes of the operator. The eye shields can be mounted in different positions depending on the operator. See Figure 3 (page 14).

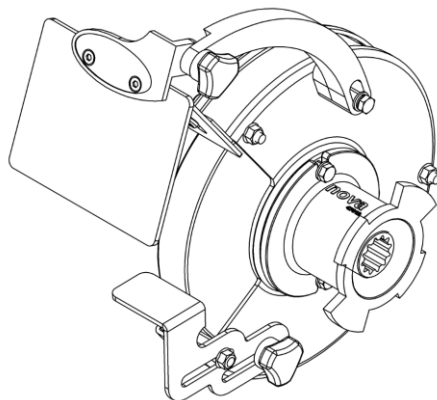
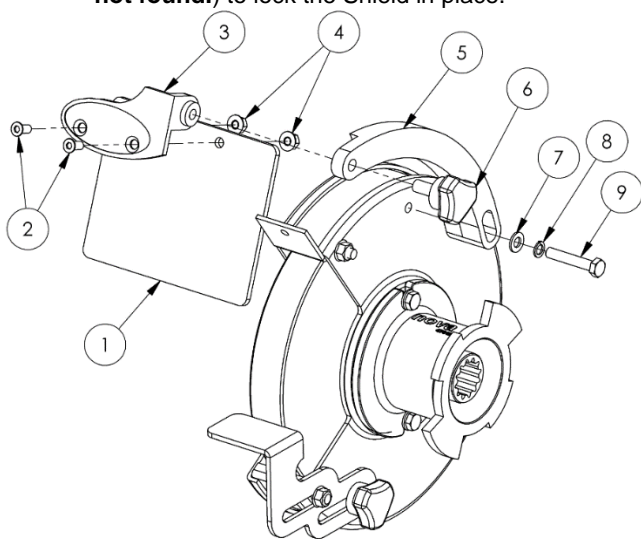


Figure 2

1. Attach the Eye Shield screen (1, **Error! Reference source not found.**) to the Eye Shield Mounting Bracket (3, **Error! Reference source not found.**) using the Fasteners (2 & 4, **Error! Reference source not found.**).
2. Attach the Eye Shield and Mounting Bracket to the Grinder guard using the long Screw (9, **Error! Reference source not found.**).
3. Adjust the Eye Shield by loosening the adjustment Screw Knob and Screw (6 & 9, **Error! Reference source not found.**) and moving the shield to the desired position. Re-tighten the adjustment Screw Knobs and Screw (6 & 9, **Error! Reference source not found.**) to lock the Shield in place.



For Reference

|   |                 |
|---|-----------------|
| 1 | Screen          |
| 2 | k04010          |
| 3 | Screen Bracket  |
| 4 | FNH04           |
| 5 | Screen arm      |
| 6 | Adjustment Knob |
| 7 | FW05            |
| 8 | SW05            |
| 9 | BNMZ06028       |

Figure 3

## Installing onto the lathe

1. Carefully choose a location for the NOVA™ Comet II Midi Lathe and VERSATURN™ Grinding Wheel Accessory. If mounted on a workbench, ensure there is adequate room all around the grinder for safe operation. The area must be level and clear of other power tools and/or power tool cords that could interfere with operation of the Versaturn Grinding Wheel.
2. If the NOVA™ Comet II Midi Lathe is installed on a stand ensure there is plenty of unobstructed space around the grinder as not to interfere with safe operation on the tool.
3. The VERSATURN™ Grinding Wheel should be installed on the NOVA™ Comet II Midi Lathe in a place that is away from outside elements.
4. Carefully inspect the grinding wheels to ensure they were not damaged during shipment. Fractured grinding wheels can shatter during grinding operations and throw off pieces at high speeds. Failure to adhere to these cautions can cause severe injury including blindness or even death to the operator
5. Rotate the VERSATURN™ Coupler Lock Ring anticlockwise until the "Unlocked" Tab (5) is on top. Align the outboard end of the Comet II Lathe spindle (1) with the Grinding Accessory shaft (2).
6. Press the Grinding Wheel Accessory coupler (3) up against the rubber mounting surface inside the VERSATURN™ Coupler on the lathe (4).

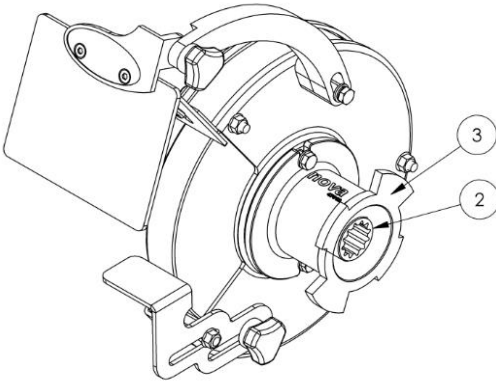


Figure 3

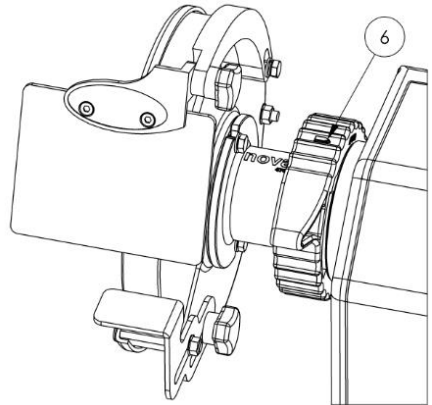
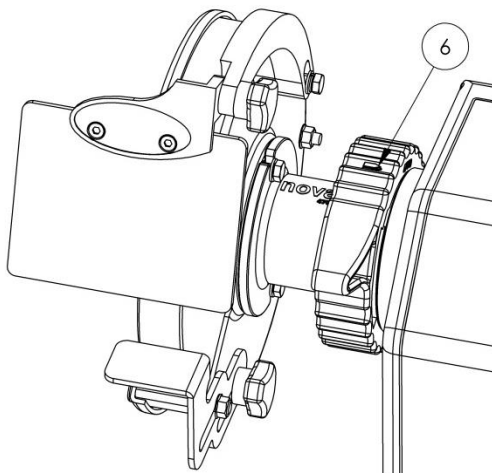




Figure 4

7. Once the face of the Grinding Wheel coupler is flat on the rubber face of the VERSATURN™ Coupler, rotate the VERSATURN™ Coupler's Lock Ring clockwise until the "Locked" tab (6) is facing upward, to lock the grinder onto the lathe.
8. Double check the Lock ring is tightened snug and that the Grinding Wheel Accessory is not lose.



## OPERATION INSTRUCTIONS:

 Ensure the "ON/OFF" switch is in the "OFF" position before plugging the power cord into the AC power source. Ensure there are no tools or work pieces in contact with the grinding wheels when the grinder is turned "ON." Failure to observe these procedures could result in damage to the VERSATURN™ Grinding Wheel, tools, work pieces, or serious personal injury to the operator or bystanders. Limit speed to max 3000rpm and always start machine at zero (0)

 DO NOT attempt to "grind" work pieces made of WOOD or MAGNESIUM. Using wood with the VERSATURN™ Grinding Wheel could easily start a fire or cause severe irreversible damage to the work piece. Grinding work pieces made of magnesium or magnesium alloys can ignite causing sudden very intense fires. Magnesium fires cannot be easily extinguished. ABSOLUTELY DO NOT THROW WATER ON A MAGNESIUM FIRE. USE ONLY A FIRE EXTINGUISHER RATED FOR SUCH FIRES. When water is introduced to a magnesium fire, the sudden temperature change could cause the metal to explode sending very hot pieces throughout the work area possibly igniting other fires.

- Ensure the tool rests are securely tightened and the eye shields are in place and properly tightened.
- Allow the VERSATURN™ Grinding Wheel to run for at least one minute to warm up the grinding wheel. NEVER place a work piece against a "COLD" grinding wheel.
- Place the work piece on the tool rest and apply even pressure as contact is made with the abrasive stone.
- When sharpening tools, start on one end of the tool and slide its surface across the grinding stone in a firm even speed and pressure. Reverse the direction for the other side.

- **CAUTION:** When sharpening tools on a grinder, avoid letting the tool stay in one place until it becomes “RED HOT.” You will notice area will change color, possibly to a bluish tint, when the tool cools. This change in color and the exposure to high heat can alter the tempering of the metal making it more brittle and subject to frequent surface damage.
- Use optional accessories such as wire wheels and buffing wheels to create finishing touches to your work piece.
- **WIRE WHEELS** should never be used on work pieces that are polished or have a textured surface. The wheel will deface these surfaces. Like grinding stones, work pieces can be held too long against the wire wheels resulting in high temperatures and possible damage to the work piece.

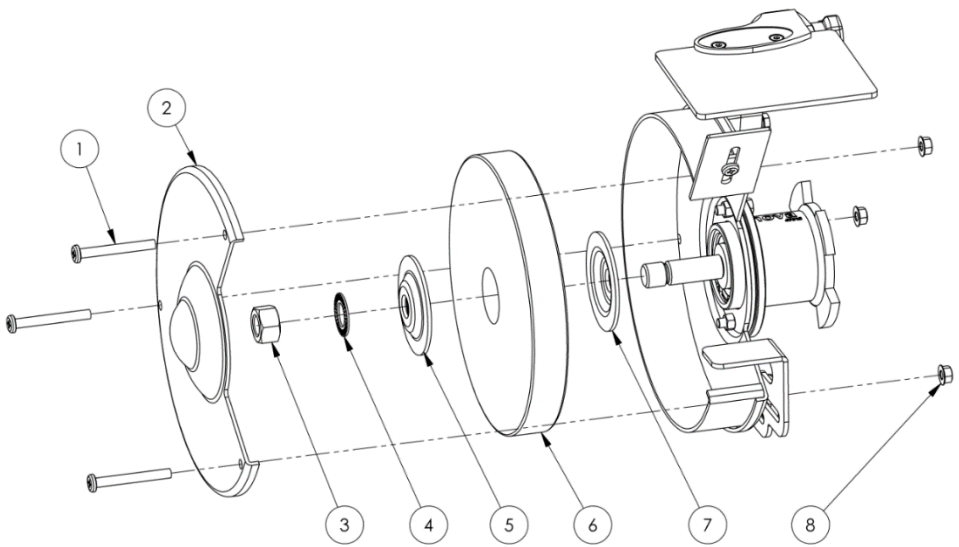
## **MAINTENANCE AND CLEANING:**

During normal use, the abrasive grinding wheels may become cracked, grooved, develop rounded corners on the edges, chipped, loaded with foreign material or worn from the original shape and will need to be replaced. Grinding wheels that are chipped or cracked should be replaced **IMMEDIATELY**.

## **REPLACING GRINDING WHEELS**

When replacing grinding wheels, make sure the replacement wheel has a speed rating at or above the speed of the VERSATURN™ Grinding Wheel. The speed rating is maximum 3000rpm. Replacement grinding wheels should have a 1/2" (13mm) arbor hole and a maximum width of 3/4" (20mm).

1. Ensure the POWER SWITCH (1) is set to the “OFF” position and the electrical power cord is removed from the power source before changing grinding wheels.
2. Whilst the VERSATURN™ Grinding Wheel Accessory is on the NOVA Comet II Lathe, engage the Comet II index lock to lock the spindle (If the Grinding wheel accessory is not on the lathe, follow the instructions under "INSTALLING ONTO THE LATHE" Page 14 to do so).
3. Loosen the Eye Shield Mounting Bracket via its fasteners (9) and slide the Eye Shield Mounting Bracket up to its maximum position. Tighten its fasteners (9) slightly so stop it falling back down.



4. Remove the four sets of fasteners (1 & 8) securing the Grinding Stone Side Cover (2).
5. Remove the Grinding Stone Side Cover to expose the grinding stone (5), two Grinding Wheel Holding plates (4, 6) and securing nut (3).
6. With the Comet II lathe Index lock engaged, use an appropriate spanner to undo and remove the securing nut (3). (**NOTE:** the nut and spindle have a reverse thread)
7. Remove the outside Grinding Wheel Holding Plate (4) and remove the Grinding Stone.
8. Place the new Grinding Stone on the Grinding Wheel Accessory Spindle (7), making sure the second Grind Wheel Holding plate (6) is still on the Spindle (7).
9. Replace the outside Grind Wheel Holding plate (4) and Securing Nut (3) finger tight.
10. tighten the Securing Nut (3) snug up against the Grind Wheel Holding plate (4)
11. Replace the Grinding Stone Side Cover (2) and secure with its four sets of fasteners (1 & 8)
12. Disengage the Comet II Index Lock.



## **CLEANING THE VERSATURN™ GRINDING WHEEL**

- The Grinding Wheel should only be cleaned after the power cord is removed from the power source and the Power Switch is turned to “OFF.” Clean any dust buildup from around moving parts. Use a clean rag, brush, or compressed air source to remove excessive dust buildup.
- NEVER use flammable materials to clean the grinder.
- NO LUBRICATION is required. The VERSATURN™ Grinding Wheel uses sealed lubrication bearings installed at the factory.

## **ACCESSORIES:**

Optional accessories for the VERSATURN™ Grinding Wheel can include wire-brush wheels that can be used for cleaning and layered cloth wheels that can be used for polishing and buffing. Contact the NOVA Customer Service Center (1-866-748-3025 Toll Free) or your nearest NOVA dealer to find where our accessories are available.



**WARNING** Only use accessories that are designed to fit your VERSATURN™ Grinding Wheel. These accessories should be specifically labeled to match the speed and arbor size of the grinder. Failure to use the proper accessories could result in property damage, damage to the grinder, and serious personal injury to the operator.

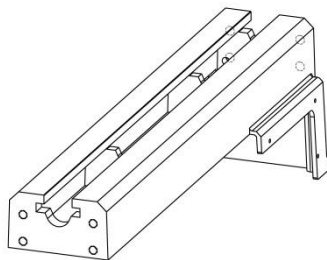
Always attach grounded (3-prong) extension cords to grounded (3-hole) outlets. If the grinder must be used outside, use an extension cord labeled “W-A” or “W.” These extension cords are rated for outdoor use and reduce the chances of electrical shock.

If you must use an extension cord, be sure that the gauge is large enough to carry the amount of current necessary for your power tool. If not, your tool may experience a loss of power, excessive voltage drop or overheating. The smaller the gauge number, the heavier the cord.

## ACCESSORIES FOR THE COMET II MIDI LATHE:

### Add-On Bed Extension # 47001

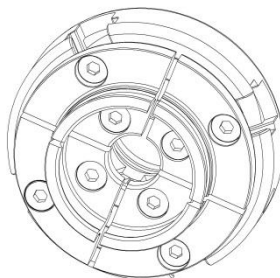
Extend the bed of your Nova Comet II Wood Lathe for greater capacity between centers. One additional bed extension adds 24.6"/625mm to the lathes length.



### Nova G3 Reversible Chuck # 48232

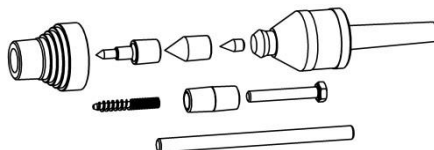
A self-centering chuck to securely hold round or square work pieces for centerless turning. The special Tuff Lock gearing delivers amazing holding power in both the contraction and expansion mode. It includes a screw chuck, and a lock for reversing work. A wide variety of optional jaws are available to hold almost any work piece.

Note: this chuck has been designed for the NOVA Comet II Midi Lathe Only.



### Revolving Center System # 5015

A multi-function live center system to expand your options when turning between centers. It includes quick-change tapers, a hollow-cup center point, threaded center, cone center, and an extension center. Made with three bearings for durability and precision machined for a high quality finish.



# WARRANTY:

## ***Teknatool ONE Year Limited Warranty***

This Teknatool product is backed by a warranty from the date of purchase. Teknatool International Ltd will repair or replace, at its expense and option, this Teknatool product which in normal use has proven to be defective in workmanship or material, provided that the customer returns the product prepaid to an authorized Teknatool service center with proof of purchase of the product within ONE YEAR and provides Teknatool with reasonable opportunity to verify the alleged defect by inspection. Teknatool will pay return product by most cost effective surface transport to customer. Any special freight services above this will be at customer cost. Teknatool will not be responsible for any asserted defect, which has resulted from normal wear, misuse, abuse, Power surges or excess voltage fluctuation, repair or alteration made by anyone other than an authorized service facility or representative. Under no circumstances will Teknatool International Ltd. be liable for incidental, special, indirect, and consequential damages or expenses, including loss of profits or loss of operations. This warranty is Teknatool International Ltd sole warranty. There are no other warranties, whether written or verbal, whether expressed or implied by law, trade, custom, or otherwise, whether of merchantability, fitness for purpose, or otherwise, except for remedies available to customers under the Consumer Guarantees Act or other legislation.

OVERSEAS CUSTOMERS: Our Teknatool Distributors and agents will issue their own warranty to cover this product. Terms may vary from those stated above; please check with your dealer. In North America warranty covers Continental USA only. For Alaska, Hawaii and other areas, warranty covers replacement of parts only and excludes transport costs.

### **Exclusions**

This warranty does not cover parts damaged due to normal wear, abnormal conditions, misapplication, misuse, abuse, accidents, operation at other than recommended pressures or temperatures, improper storage or freight damage. Parts damaged or worn by operation in dusty environments are not warranted. Failure to follow recommended operating and maintenance procedures also voids warranty.

This limited warranty does not apply to accessory items such as drill bits, screw driving bits, circular saw blades, jigsaw blades, grinding wheels, sanding sheets and other related items.

*Register your warranty with Teknatool faster online.  
Visit our website on [www.teknaool.com](http://www.teknaool.com) to register your warranty today!*

© 2017 Teknatool® International, Teknatool USA Inc  
All Rights Reserved.



Register your warranty online

[www.teknatool.com](http://www.teknatool.com)