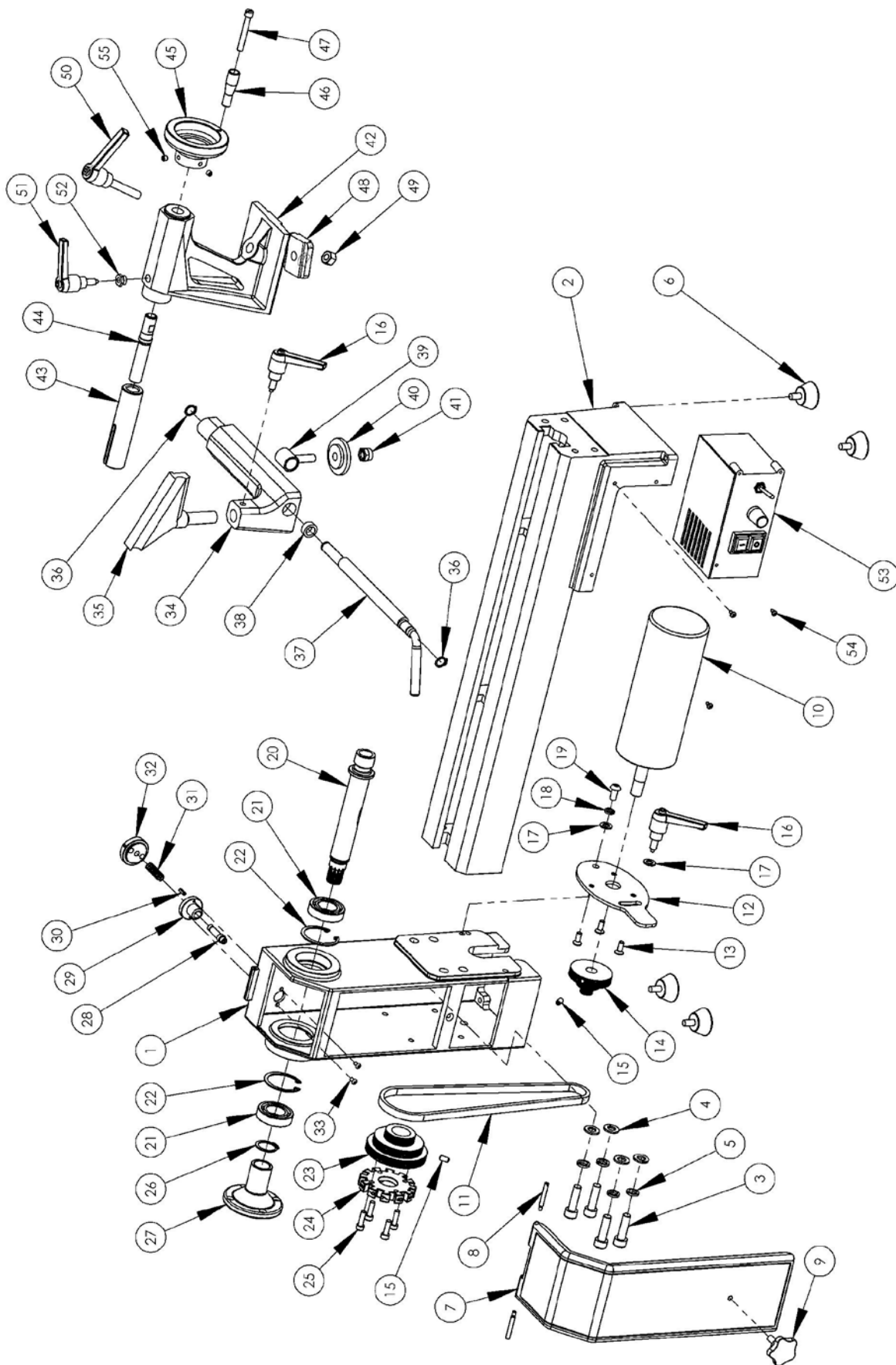


# Nova Comet II Wood Lathe Exploded View



## Nova Comet II Wood Lathe Parts List

ITEM NO.	PART NUMBER	DESCRIPTION	QTY.
1	46001	Headstock	1
2	46015	Bed	1
3	C10035	Hex Capscrew M10X35	4
4	FW10	10mm Flat Washer	4
5	SW10	10mm Spring Washer	4
6	46007	Rubber Feet	4
7	46002	Headstock Guard	1
8	46042	Headstock Guard Pin	1
9	46009	Headstock Guard Lock	1
10	46008/46034	Motor 115V / 230V	1
11	46010	Drive Belt	1
12	46003	Motor Mount Plate	1
13	K0616	Hex Countersunk Screw M6X16	3
14	46005	Motor Pulley	1
15	G0612	Grub Screw M6X12	2
16	46031	Lock Handle M8X20	2
17	FW8	8mm Flat Washer	2
18	SW8	8mm Spring Washer	2
19	C06015	Hex Cap Screw M6X15	1
20	46006	Spindle	1
21	6005ZZ	Spindle Bearings 6005	2
22	IC47	Headstock Bearing Retaining Circlip	2
23	46004	Spindle Pulley	1
24	46013	Spindle Index Wheel	1
25	C0620	Hex Cap Screw M6X20	4
26	EC25	Spindle Bearing Retaining Circlip	1
27	46036	Spindle Hand wheel (LHB)	1
28	46011	Index Pin	1
29	46012	Index Pin Housing	1
30	TP0412	4x12mm Tension Pin	1
31	46014	Index Pin Spring	1
32	46043	Index Pin Knob	1
33	MPB0408	M4x8 Pan Head screw	2

34	46027	Tool Slide	1
35	46026	Tool Rest	1
36	EC12	Tool Slide Camshaft Circlip	2
37	46028	Tool Slide Camshaft	1
38	46035	Tool Slide Camshaft Bushing	1
39	46029	Tool Slide Cam	1
40	46030	Tool Slide Lock Plate	1
41	NN10	M10 Nyloc Nut	1
42	46017	Tailstock	1
43	46019	Tailstock Quill	1
44	46018	Tailstock Quill Lead Screw	1
45	46021	Tailstock Hand wheel	1
46	46020	Tailstock Hand wheel Handle	1
47	46037	Tailstock Hand wheel Handle Screw	1
48	46023	Tailstock Lock Plate	1
49	NH10	M10 Nut	1
50	46022	Tailstock Lock Handle	1
51	46025	Tailstock Quill Lock Handle	1
52	46024	Tailstock Quill Lock Handle Insert	1
53	46016/46040	Motor Controller	1
54	STPB0412	Motor Controller Pan Head Screw	3
55	G0606	M6x6 Grub screw	2