

nova dvr2024™

REMOTE EQUIPPED Specifications



nova dvr2024™

REMOTE EQUIPPED

Standard Equipment

SKU 57080	
MOTOR	2.3HP 220v Intelligent DVR Motor
SWING OVER BED	20"
SWING OUTBOARD	33" with Optional Outrigger Accessory
SPEED RANGE	100 - 5000rpm variable, with 10 Favorite Speeds feature
DISTANCE BETWEEN CENTERS	24" extendable in 20" units with accessory bed extensions
DRIVE SPINDLE	1" 1/4" 8 TPI, RH Thread
HEAD AND TAILSTOCK TAPER	#2MT Self Ejecting Tailstock
TOOL REST	12"
FACEPLATE	6"
STANDARD EQUIPMENT	6" Faceplate, Cast Iron Stand, 12" Toolrest, Spur-Drive Center, Live Tailstock Center, Knockout Bar, Manual with parts breakdown & fasteners
ACCESSORIES	Bed Extension Accessory SKU 55195 SuperNOVA2 Chuck SKU 23055 NOVA Titan Chuck SKU 13055 Outrigger Attachment SKU 57073 Swing Away Bed SKU 9007 Live Center System SKU 5015
NET WEIGHT	146.2kg (322.3LB) including stand
WARRANTY	2 Year Full Replacement on all Electronics 5 Year Full Replacement on all other parts



Contact NOVA™ toll-free at 1-866-748-3025 or on our toll line at 1-727-954-3433

Find your nearest dealer at www.teknatool.com



NOVA's Largest Capacity Machine

NOVA's largest capacity machine delivers more features and versatility than any other 20" Wood Lathe on the market. With NOVA exclusive features this lathe is the most technologically advanced available today.

The NOVA DVR 2024™ delivers the most versatility of any 20" lathe on the market. It has an intelligent DVR motor with features such as chisel dig in safety sensing, favorite speed settings, and out of balance wood adjustment - lathes don't get any more advanced than this!



Comet II Accessories



Features and Benefits



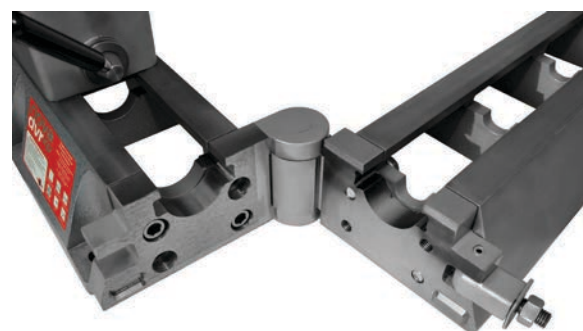
Outrigger Attachment SKU 57073

- Made from high quality cast iron.
- Dependable performance
- Designed to withstand extremely high stress with practically no distortion



Bed Extension Accessory SKU 55195

- Computer designed for maximum strength
- Solid, vibration free performance
- Very quickly and easily add extensions as required.



Swing Away Bed SKU 9007

- Space saving
- Easy to swing away tailstock
- Made from cast iron
- Dependable Performance



Live Center System SKU 5015

- Fast, precise, and powerful tailstock support system
- Designed for the tough demands of modern wood turning
- Versatile - over 6 functions in one handy unit

The NOVA DVR 2024 is a unique lathe which provides an unparalleled versatility, power and capability to Wood Turning. All driven by our advanced DVR direct drive motor technology, the NOVA DVR 2024 delivers the flexibility to meet the demands of 21st century Woodturning.



Power to Turn & Burn: 2 HP Direct Drive DVR motor offers more power/ torque than any competitive 20" Wood Lathe on the market.

Incredible Speed Range: with a very low speed of 100 rpm & an incredibly high speed of 5,000rpm, the NOVA DVR 2024 Lathe is the perfect solution for a wide variety of projects from small pens to large bowls & platters.

20" Capacity Over the Bed: 25% larger capacity than the DVR XP Lathe.

33" Capacity Outboard: with the optional Outrigger Accessory unit, this is an exclusive accessory for the 2024 and is larger than the accessory of the DVR XP.

24" Capacity Between Centers: Extendable in 20" Increments with the optional Bed Accessory Unit.

Self Ejecting Tailstock Center: Larger tailstock (over 25% larger than the DVR XP) with re-engineered quill design capable of taking heavier loads & with self ejecting function eliminates the need for knock out bars & helps to make project set ups faster & easier. Red rubber locking levers for comfort & easy identification.

10 Favorite Speeds: Enables you to pre-program your most used speeds for faster & more efficient project set ups.

Forward & Reverse: Additional flexibility of the reverse allows you to achieve superior finishes.

Full 360° Swivel Head: With all the versatility of a full swivel-head lathe while delivering the solid performance, rigidity & ruggedness of a fixed head wood lathe.

Larger Toolslide: 25% larger than the DVR XP, with re-engineered locking for heavier loads. Red rubber locking levers for comfort & easy identification.

Cast Iron Stand: Exclusive larger design especially for the NOVA DVR 2024, with CAD designed ribbing for structural strength, & provision for tool shelf. Included as standard with the 2024.

Exceptional Structural Strength: Solid Cast iron construction throughout delivers optimum strength & rigidity while absorbing any vibration. The result, an exceptionally smooth turning experience with less time spent in the finishing process.