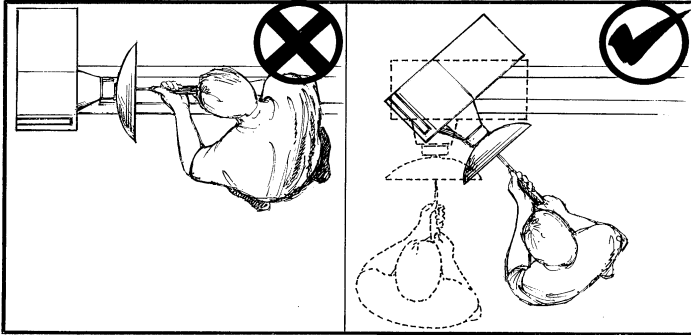


Nova 3000 Features

The Nova 3000 is packed with features! These make it one of the best value for money lathes on the market. Ask your reseller for a demo, pamphlet and 'Buying a Woodlathe' booklet.

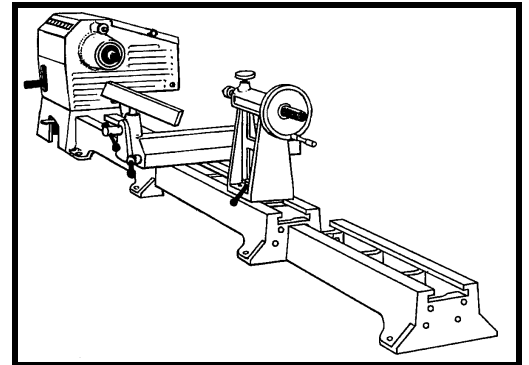


Swivel Head

- ✓ Headstock can be swivelled to any position.
- ✓ Swivel Head easy to position and lock. Try it!
- ✓ Detent position means accurate

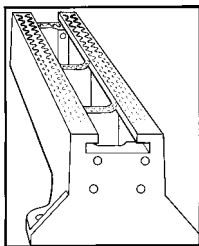
Extension Bed

- ✓ Unique extension bed system so your lathe can grow (or shrink!) to your needs.
- ✓ Each bed extension adds 20" to your lathe's between centre capacity
- ✓ Suberb interlocking accuracy



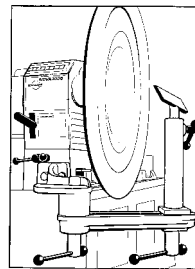
Solid Cast Iron Construction

- ✓ All main components are made of Solid Cast Iron
- ✓ Delivers maximum strength, accuracy and wear



- ✓ Vibration dampening bed design

Generous Capacity



- ✓ Standard machine has capacity of 16" swing, and 24" between centre.
- ✓ Use of outrigger and bed extension adds 29" swing and 44" between centre!

Best Speed Range available

8 Speed Manual Version + Variable Speed option

Adjustable tailstock

For pinpoint centre accuracy

Wide range of innovative accessories

- ✓ SuperNova and Nova Chucks
- ✓ Ornamental Turner **NEW!**
- ✓ Wide range of centres and faceplates
- ✓ Outrigger unit and bed extensions

Five Year Warranty

Great Support material
Free newsletter!
Free projects!



sales@teknatool.com
www.teknatool.com