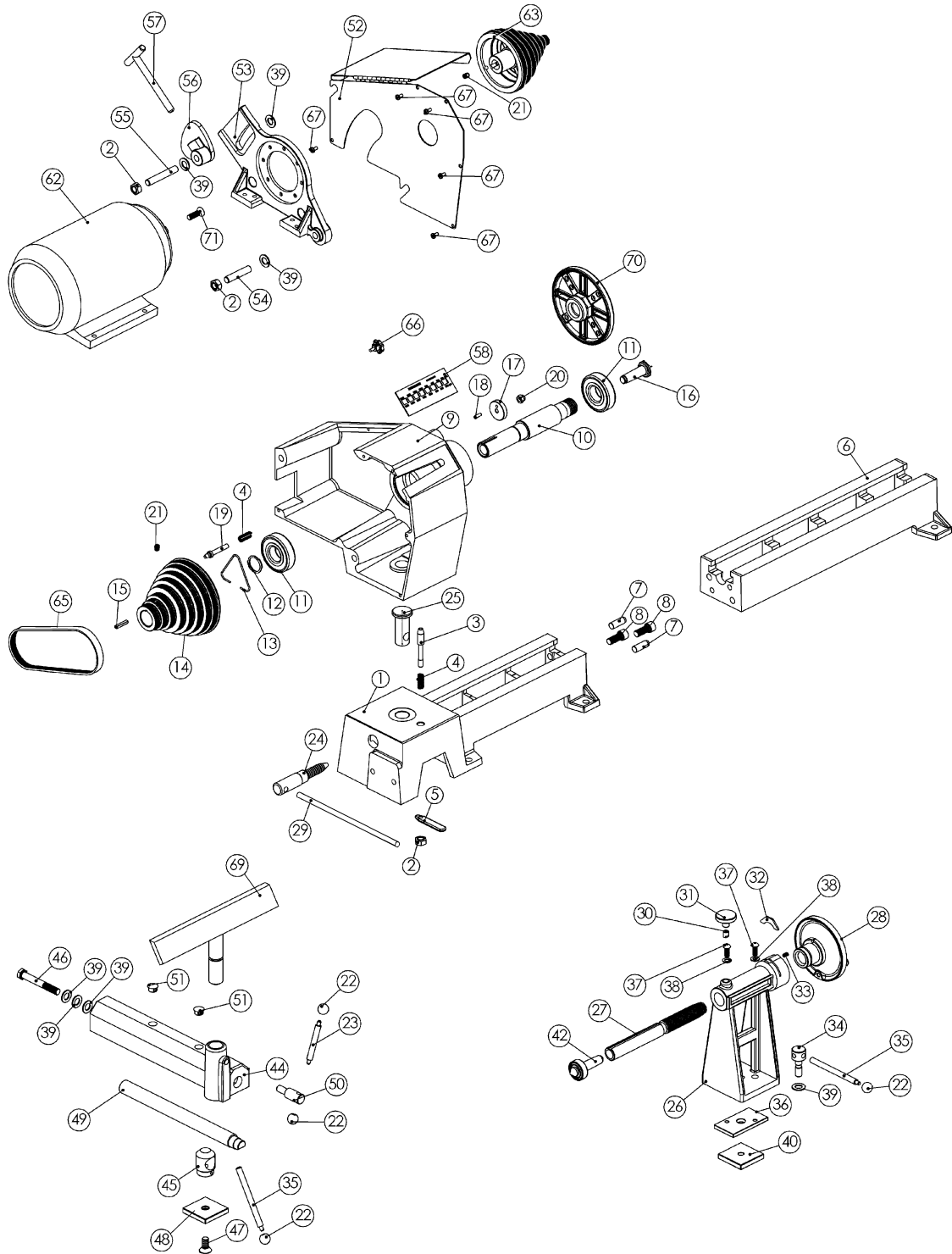


Nova 3000 Woodlathe Exploded Drawings & Parts List



<i>Item</i>	<i>Qty</i>	<i>Part No.</i>	<i>Description</i>
1	1	24000	Main Lathe Bed
2	3	NN12	Nut Hex Nyloc M12 ZP
3	1	24023	Detent Pin D12 G/F #19
4	2	24060	Compression Spring
5	1	24012	Detent Pin Handle
6	1	24001	Bed Extension Unit
7	2	24041	Dowel Pin M12 x 36
8	2	24011	Capscrew M12 x 30
9	1	24002	Headstock
10Y	1	24045	Spindle Headstock 1-1/4 x 8 TPI
10Q	1	24024	Spindle Headstock M30 x 3.5
11	1	6306LLB	(Rear) NTN 6306 Bearing
11Y	1	6207LLB	(Front) SKF 6207-2RSI Bearing
11Q	1	6306LLB	(Front) NTN 6306 Bearing
12	1	EC30	Circlip External 30mm (1.5 mm wide)
13	1	24080	Wire Form Circlip
14	1	24025	Pulley Headstock
15	1	24061	3/16 in. SQ Key in M/S x 30 mm
16	1	2MTSPUR	Spur Center #2MT
17	1	24062	Spindle Index Knob
18	1	TP131658	Bissel / Tension Pin 3/16 in. x 5/8
19	1	24063	Spindle Index Pin
20	1	DNNO8	M8 Brass Dome Nut
21	2	G0810	Set Screw M6 x 10 Knurled Point
22	4	865913	Ball Knob 3/4 in. DIA with M6 thread
23	1	25001	TeeLock Arm M10 DIA x 85 with M6 threads
24	1	24004	Headstock Lockpin
25	1	24031	Swivel Pin Headstock
26	1	24039	Tailstock Adjustable Type
27	1	24064	Quill Tailstock 1 in. DIA with M10 LH thread
28	1	24043	Handwheel, Tailstock
29	1	24087	Operating Bar
30	1	27001	Key Quill Lock
31	1	24019	Quill Lock Knob
32	1	24040	Keeper Plate - Hardened Steel
33	2	G06010	Set Screw M6 x 10 Knurled Point
34	1	27000	Lock Stud Tailstock
35	2	24016	Lock Arms
36	1	24047	Plate, Adjustable Alignment
38	2	FW8	Washer Flat M8 x 16 ZP
39	7	FW12	Washer Flat M12 ZP 1.6 mm Thick
40	1	24008	Lockplate Tailstock M12 ZP 1.6 mm Thick
42	1	2MTLC	Live Center #2MT
44	1	24009	Toolslide Casting
45	1	24048	Cam Nut Toolslide
46	1	BNMZ12090	M12 x 90 Eng Bolt
47	1	K1225	M12 x 25 Allen Head Flathead Screw
48	1	27002	Plate Toolslide Lock
49	1	24020	Camshaft Toolslide
50	1	24026	Teelock Body
51	2	HP-16	Plughole M16 Black
52	1	24066	Guard Headstock
53Y	1	24054	Flange, Motor Mount NEMA 56C
53Q	1	24027	Flange, Motor Mount Metric
54	1	24050	Stud M12 x 60 Motor Mount
55	1	24051	Stud M12 x 75 Motor Mount
56	1	24046	Cam Casting for Motor Mount
57	1	24049	Teebar - Motor Mount
58	1	24015	Speed Indicator Label
62			Motor
63Y	1	MPWL	Motor Pulley 8 step 5/8 in. Shaft
63Q	1	MPWL19	Motor Pulley 8 step M19 Shaft
65	1	584J6	Belt Poly Vee
66	1	24055	M5 x 10 Knob (guard cover)
67	5	MP05010	Screw Pan Head Pozi M5 x 10 ZP
69	1	TR300/1	Toolrest 300 mm with 1 in. DIA post
70Y	1	FP150Y	Faceplate 150 mm with 1-1/4 x 8 TPI
70Q	1	FP150Q	Faceplate 150 mm with M30 x 3.5
71Y	4	KC0608	3/8 x 1 UNC Allen Head Flathead Screws
71Q	4	CM5010192	M6 x 20 Allen Head Flathead Screws

<i>Item</i>	<i>Qty</i>	<i>Part No.</i>	<i>Description</i>
37	2	BHC08020	Capscrew Button Head M8 x 20

