

Frequently Asked Questions

WHICH MOTOR TYPE DO I USE ON THE NOVA 3000 LATHE?

Date Raised: 24/01/03

Safe practises should always be employed to ensure the Health and Safety of yourself, employees and customers (if applicable) Refer to product manuals, exploded drawings and our website if further assistance is required, or contact us on service@teknatool.com

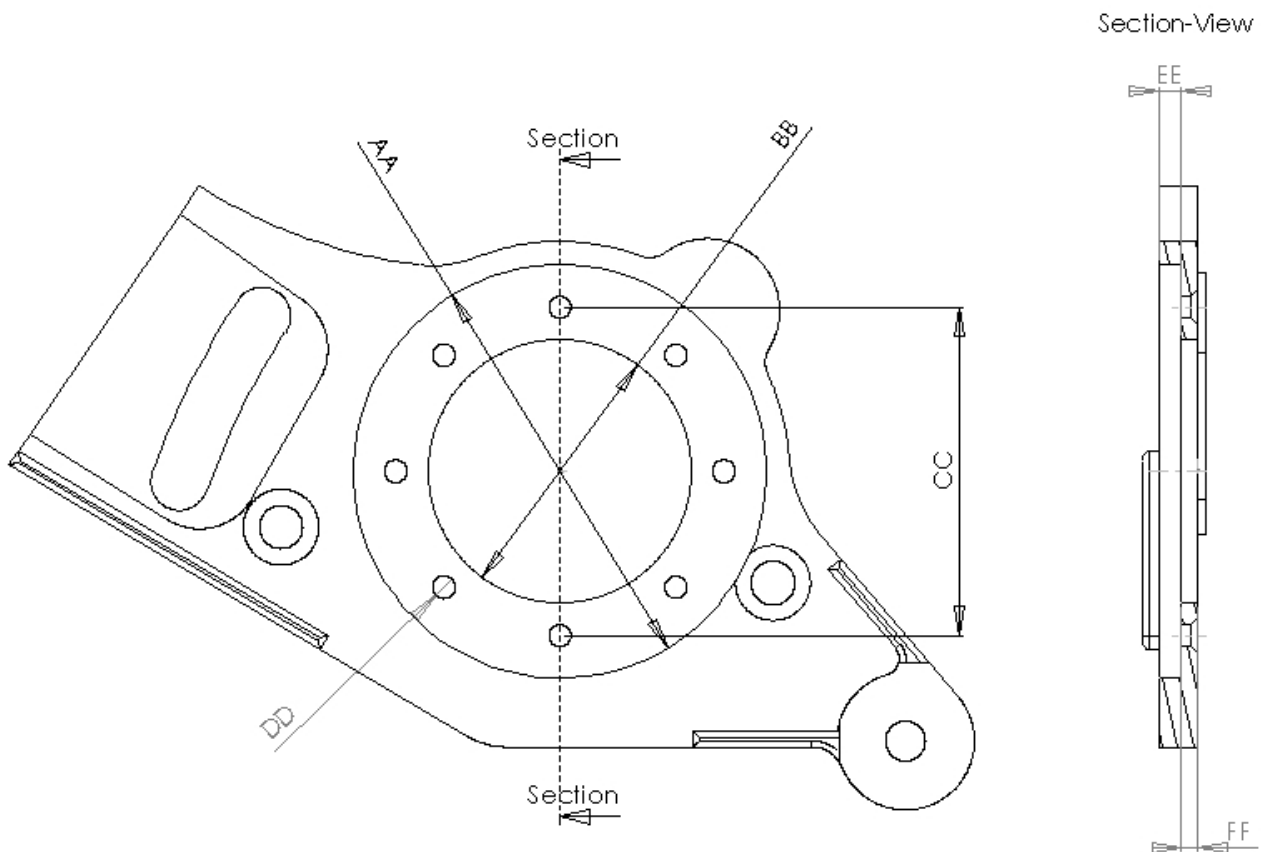
Date Amended:30/01/2003

This FAQ applies to Metric motors only (excludes USA and Canada)

Question: What motor do I use to mount on my new Nova 3000 lathe?

The Nova 3000 lathe uses a standard flange mounting configuration, so a suitable motor is readily found. We recommend a minimum 1HP on the Nova 3000 lathe.

SKU#24096 Metric Flange specifications for the Nova 3000 lathe

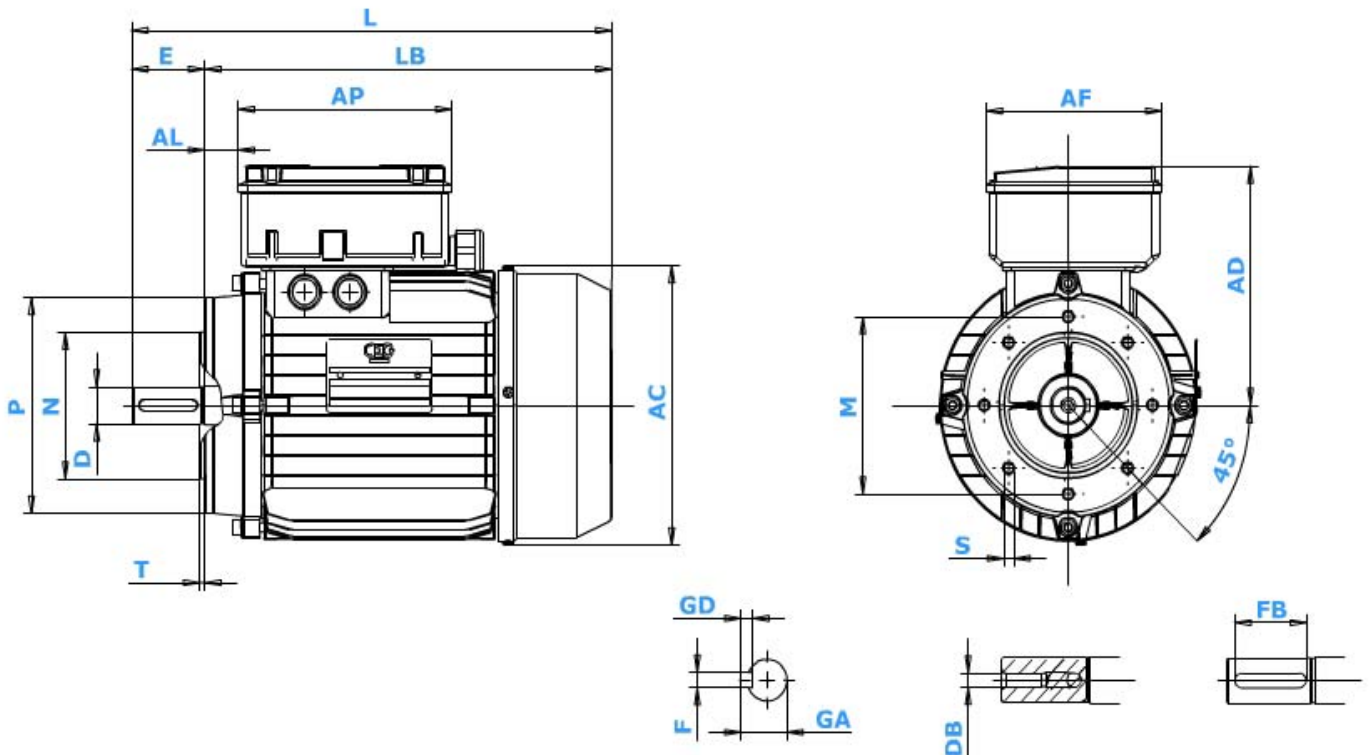


AA	BB	CC	DD	EE	FF	Screw hole
126	80.25	100	6.8	7	5	M6 countersunk
Sizes are in millimetres						

If you are not sure which motor or motor supplier to use, we can recommend CEG motors, as a reputable brand that are readily available worldwide (exc USA and Canada)

CEG supply motors to the specifications below. The motor is 1HP, Flange mounted.

The Mounting type is: Europe IM B14 or IM 3601, Rest of the world B14, 80 Frame.



Dimensions for PERMANENT CAPACITOR single-phase motors (version with capacitor-holder) B14 (V18-V19)

SIZE	P	N	M	T	S	D	E	F	FB	GA	GD	L	LB	AD	AF	AP	AL	AC	DB
M80	120	80	100	3	M6	19	40	6	30	21.5	6	279	239	155	119	146	17	165	M6

Sizes are in millimetres

Should you require further assistance regarding your motor choice, please don't hesitate to contact us on service@teknatool.com

CEG Distributors worldwide

Website: www.ceg.it

- **AUSTRIA**

EBE TEC Technischer Industriebedarf
 Grosskrottendorf, 27
 A-4625 Offenhausen
 Ph. +43/7247/658320 Fax +3/7247/658323
 office@ebetec.at
 Mr Edlinger Elmar

- **CZECH REPUBLIC:**

INTERGEAR S.R.O.
 Jungmannova 455
 53901 Hlinsko
 Ph. +420/454/311983 Fax +420/454/311797
 Mr Fuksa

- **SPAIN:**

PERMARIN
 C/Diudad de Sevilla 10
 46988 Paterna- Valencia
 Ph. +34/96/1368000 Fax +34/96/1368001
 jdudek@permarin.es
 Mr Jorge Dudek

- **DENMARK:**

E. KOED CHRISTENSEN A/S
 Lollandsvej 27
 5500 Middelfort
 Ph. +45/6441/6166 Fax +45/6441/3466
 jmr.ekc@e-box.dk
 Mr Koed Christensen

- **FINLAND:**
PENAMACHINE
 Varastokatu 11C
 45200 Kouvola
 Ph. +358/5321/1111 Fax +58/5375/0332
 nikander@penamachine.inet.fi
 Mr Pentti Nikander
- **FRANCE:**
ETS SOTIC MECANIQUE
 Z.I. De L'Orme -69420 Condrieu
 Ph. +33/474/595957 Fax +3/474/595933
 sotictthomas@aol.com
 Mr Thomas Issler
- **GERMANY**
Agent for Baden-Wuerttemberg:
WEIDELNER WALTER
 Eichenstrasse 5
 71263 Weil der Stadt
 Ph.+49/7033/32562 Fax+49/7033/32780
 e-mail: 320061123651-0001@T-Online.de
- **GREECE:**
CHRIS MOTORS
 11855 Athens
 Ph. +30/1/3425574 Fax +30/1/3425595
 chrisoffice@chrismotor.gr
 Mr Christoforos Michaelis
- **IRELAND:**
ELECTROMOTORS LIMITED
 104B Barrow Road
 Glasnevin Dublin 11
 Ph.+353/1/8309236 Fax +53/1/8309270
 Mr Michael Byrne
- **JORDAN:**
AFANEH TRADING AGENCIES
 P.O.Box 183457
 Amman-Jordan
 Mr Othman Afaneh
- **LATVIA:**
SIA GULTNI
 Unijas Street 21
 Riga, LV-1039
 Ph. +371/7548689 Fax +371/7548689
 gultni@isr.lv
 Mr Aivars Neilands
- **MORROCCO:**
SARELEB
 Bd Chefchaouni route 110- Km11,7 NR355
 Q.I.- Ain Sebaa- Casablanca
 Ph. +212/2/350402 Fax +212/2/350451
 Mr Sati Abdelouahad
- **NETHERLANDS:**
ELECTROABI
 Hofman Weg 60
 2031 BL- Haarlem
 Ph. +31/23/5319292 Fax +31/23/5326599
 wstrijbos@abi.nl
 Mr Willelm Strjibos
- **NORWAY:**
TRANSTECH ELEKTRO A/S
 Legaveien 5
 3250 Larvik
 Ph.+47/33140600 Fax +47/33140601
 brian.karlsen@transtech.no
 Mr Karlsen Brian