

***NOVA
WOODLATHE
CAST IRON STAND™***



Publication No98-0307-004.

Last updated: 29 October, 2003

PART NO: 25038

Designed for Nova 3000, Nova DVR
And any compatible Lathe (to be retrofitted by
customers).

Nova Woodlathe Cast Iron Stand Features



ROBUST CONTRUCTION:

The cast iron stand set comprises of two cast iron legs, one on either side, which are interchangeable. The stand pieces are cast from a high grade of cast iron with extremely good section thickness and CAD generated internal gussets at all critical points to withstand extremely high stresses with practically no distortion. Cast iron has always been the material of choice for wood lathe construction because of its inherent mass and excellent modulus of vibration dampening.

The cast iron stand has been purposely designed to be heavy, solid and robust keeping this in mind.

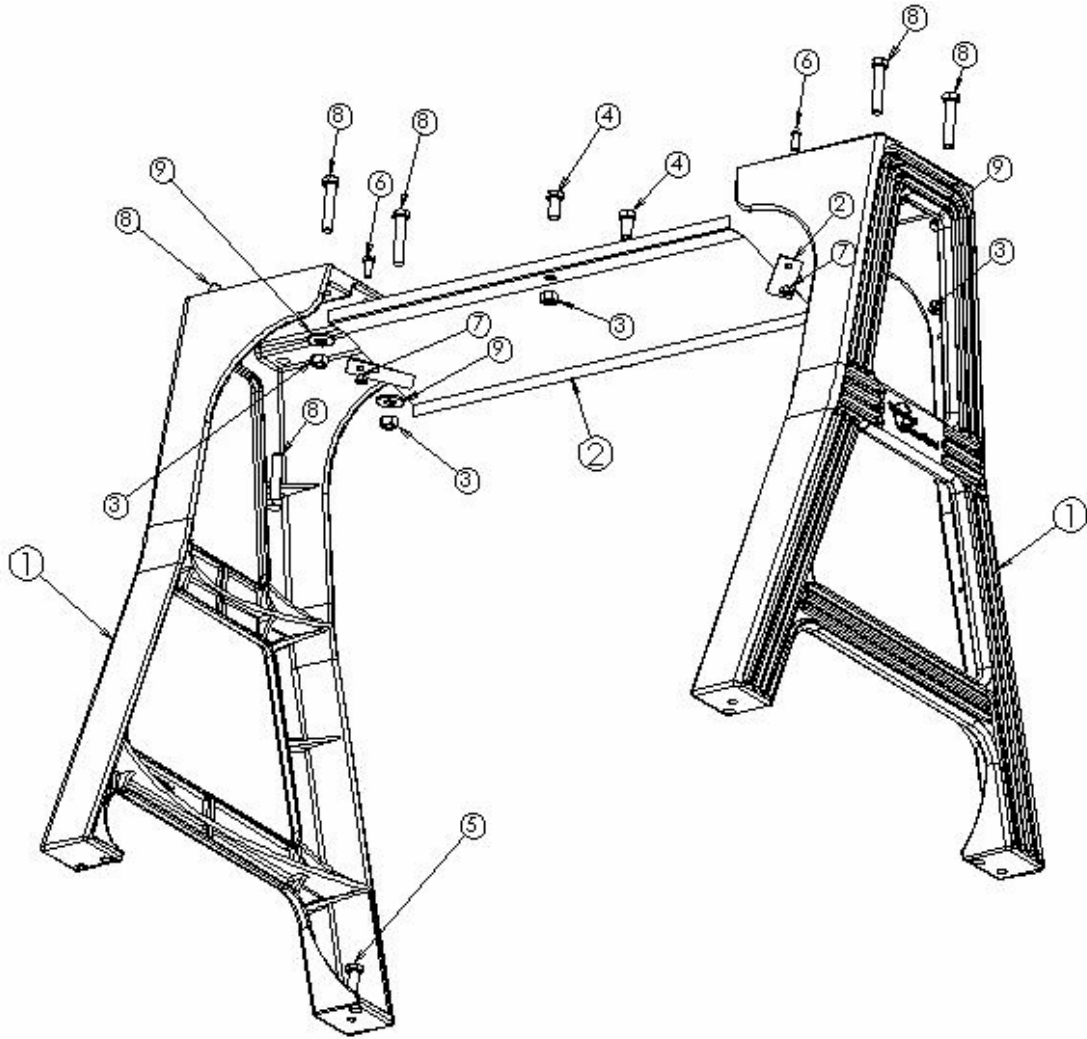


Fig 1: Exploded view

ITEM NO.	QTY.	PART NO.	DESCRIPTION
1	2	25031	Cast Iron Stand Legs
2	1	25035	Stand Tray
3	8	NHZ12	M12 Nut
4	2	BNMZ12025	Bolt M12 x 25
5	4	BNMZ12030	Bolt M12 x 30
6	2	BNMZ08020	Bolt M8 x 20
7	2	NHZ8	M8 Nut
8	8	BNMZ12065	Bolt M12 x 65
9	8	FW12	Washer M12
10	2	FFW08	Washer Fender M8 ZP

"J" bolt Kit - Pre Oct 03 [2 feet] extensions only

ITEM NO.	QTY.	PART NO.	DESCRIPTION
1	1	NA	M8 J bolt
2	1	NA	M10x 40 bolt
3	2	NHZ10	M10 Nut
4	1	NHZ8	M8 Nut

ASSEMBLY INSTRUCTIONS:

SAFETY: THE STAND AND LATHE ELEMENTS ARE HEAVY, PLEASE EMPLOY CORRECT LIFTING TECHNIQUES AND EQUIPMENT AND HAVE SOMEONE ASSIST. USE CORRECT TOOLS AND OBSERVE RECOMMENDED PRACTICES.

Set up your workshop area before beginning assembly of the lathe stand

Please follow the steps listed below for assembling the stand.

- 1) Make the two stand legs stand upright facing each other at approximately the same distance apart as the length of the lathe. The stand legs will stand upright on the two feet although not very stable, but this is enough to carry out the assembly. It is strongly recommended that two people are involved up to step 3, after which one person can finish off the rest of the procedure.
- 2) Assemble the tray item 2, (sloping away from you as shown in the exploded view) with the M8 bolts, nuts and fender washers. You may have to adjust the length between the stand legs to align the holes. DO NOT tighten fully at this point. Now the tray will hold the stand legs together. The stand at this point will be a bit wobbly as the fasteners are not secured completely. This initial set up enables the lathe to be placed on the stand.
- 3) Before placing the lathe install the M10 bolt and nuts on the stand piece that has been drilled to take the additional J-bolt clamping. (See Fig 4.) Adjust the M10 bolt right down so that it does not interfere with the web section on the extension bed. Now place the lathe on the two stand legs. Position the lathe bed and extension holes to match with holes on the stand legs. Place the M12 x60mm bolts (item 8) from the top (8 of them), except the two that are fastened from the bottom on the far left side of the main bed (use washers on all bolts. The two bolts on the far left side directly fasten into the tapped holes in the main bed). Fasten the M12 nuts and washers (items 3 and 9) to the M12 x 60 bolts. Tighten all M12 bolts and nuts firmly.

Fig 3: Sketch showing assembly of additional J-bolt clamping on the web.



- 4) Attach the accessory fastening kit on the extension side as shown in picture (Fig 3) and tighten firmly.

- 5) Fully tighten the M8 bolts and nuts on the tray.
- 6) Now, with the help of a marking pen, mark the position for drilling holes into concrete floor for securing the construction bolts. On the feet of the stand legs, there are two holes, one is an M12 tapped hole for the jacking bolts, the other is a plain 14mm hole for the construction bolts. The position for construction bolts have not been shown in the exploded view.
- 7) Once the hole positions have been marked, shift the lathe aside and install the construction bolts. Refer to your supplier on the size of drill recommended for the construction bolts you buy.
- 8) Lift and position the complete unit over these construction bolts. Tighten all nuts firmly.
- 9) Install all M12x30mm bolts (item 5) for jacking as shown in the exploded view in the M12 tapped holes on each of the feet of the stand legs.
- 10) Level the lathe bed with the help of the above jacking bolts with the help of a spirit level.
- 11) Once the lathe has been leveled tighten all construction bolts firmly.
- 12) Re-inspect to ensure all fasteners are firmly secured everywhere.
- 13) The stand installation is now complete.



Nova Woodlathe Cast Iron Stand Manual

Publication Code: 98-0307-004

© Teknatool International 2003